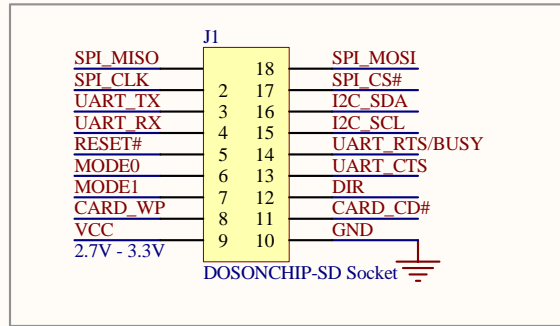
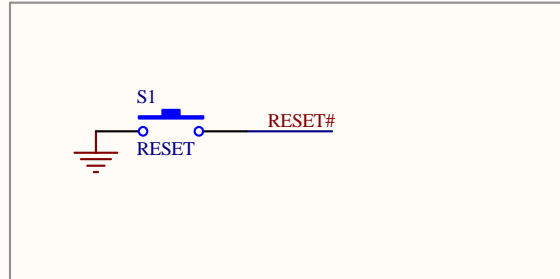


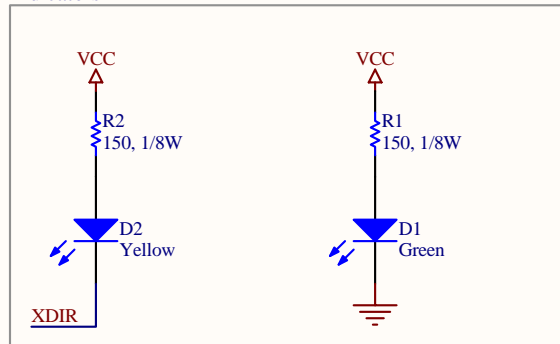
DOSONCHIP-SD



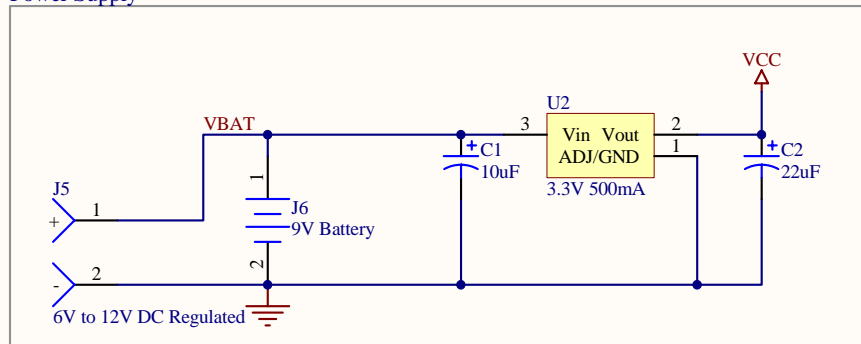
Switch



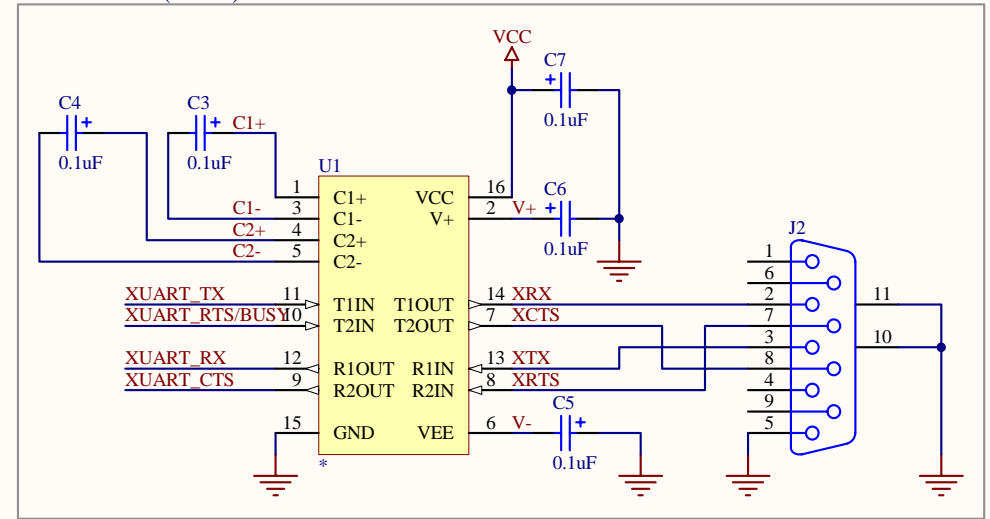
Indicators



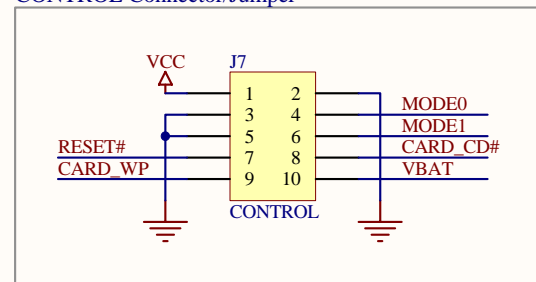
Power Supply



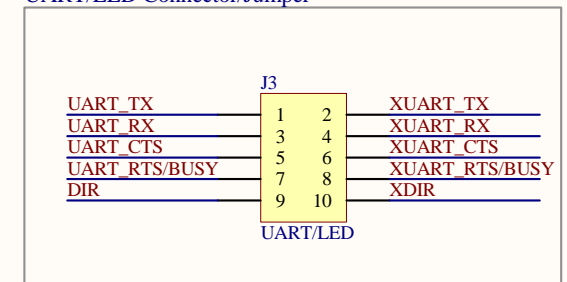
Serial Interface (RS232)



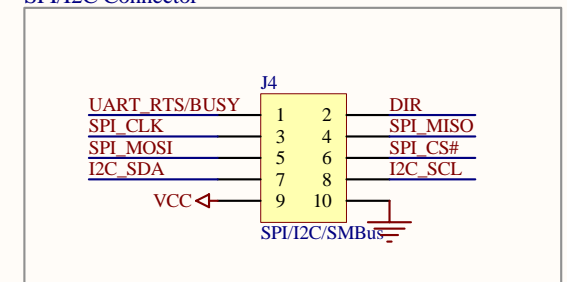
CONTROL Connector/Jumper



UART/LED Connector/Jumper



SPI/I2C Connector



Title DOSonCHIP SD/MMC Development Board		
Size A	Number DOSONCHIP-DEV1	Revision 1.0
Date: 4/21/2006	Sheet 1 of 1	
File: DOSonCHIP Development Board	Drawn By: Wearable Inc.	